

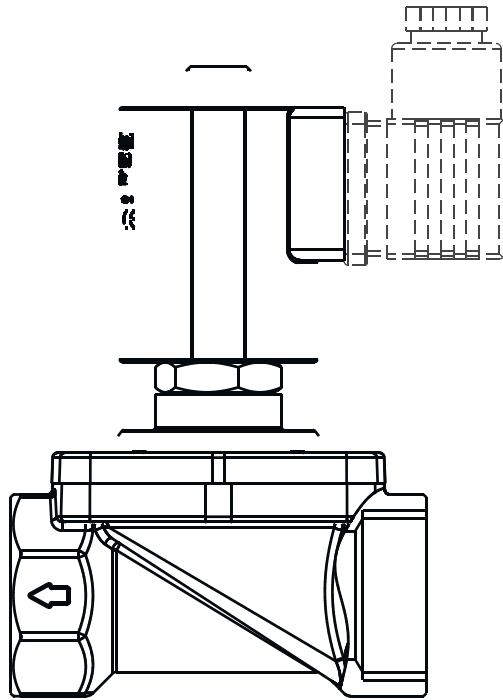
2/2 way solenoid valve normally closed or normally open

type 70, body brass

force pilot operated, DN 16-50mm, G 3/8 – G 2



SPECIFICATION	
general	
type of construction	2/2-poppet valve, with diaphragm, normally closed NC or normally open NO, coil 360° rotatable
operator	solenoid
ports	G 3/8 – G 2
ambient temperature	-20 °C to +50 °C, higher allowed ambient temperatures on request
fluid temperature	dependent on sealing material and coil
viscosity	max. 21mm ² /s (cst) or 3°E
material	body brass, inner parts stainless steel and brass, sealing see type selection
mounting	installation into fixed piping system
installation	only with vertical fixed solenoid coil
unit of supply	without connector
electrical data	
voltage	DC voltage or AC voltage
standard voltage	24V DC, 24V AC, 230V AC
special voltage on request	6V-200V DC, 12V-240V, 50Hz or 60Hz
acceptable voltage tolerance	+/- 10%
power consumption	see specifications at solenoid coils
coil type	temperature class F (155°C), winding class H (180°C), coil E3 temperature class H
duty cycle	100% ED (DB), continuous operation
protection class	IP65 according DIN EN 60529 (DIN 40050) with correctly mounted connector
pneumatic – hydraulic	
flow medium	all liquids and gases, which don't attack the used material
max. body housing pressure	PN 16 (bar)
response time	depending on operating pressure and fluid
special equipment on request	coil type with cable, bright nickel-plated or chemical nickel-plated, coils for temperature class H (180°C)



Dimension table for type 70 in mm, weight approx. kg

G	coil	type 70A-		type 70B-		M	d	L	l	D	weight approx. kg	
		H	h	H	h						70A-	70B-
G 3/8	E1	101	87.5	118	105	52.5	30	60	12	45	0,53	0,62
	E3					54	36				0,61	0,70
	F1					55	39				0,68	0,80
G 1/2	E1	101	87.5	118	105	52.5	30	62	11	50	0,50	0,59
	E3					54	36				0,58	0,67
	F1					55	39				0,65	0,77
G 3/4	E1	106	90	123.5	107.5	52.5	30	82	18	65	0,56	0,65
	E3					54	36				0,64	0,73
	F1					55	39				0,71	0,83
G1	E1	115	95	132	112	52.5	30	102	22	85	0,83	0,92
	E3					54	36				0,91	1,00
	F1					55	39				0,98	1,10
G1 1/4	F1	137	111.5	155.5	131	55	39	110	18	82	1,52	1,64
	G1	149	124	169.5	144.5	61	46				1,75	1,84
G1 1/2	F1	142.5	114.5	161.5	133.5	55	39	133.5	22	107	1,74	1,86
	G1	155	127	175.5	147.5	61	46				1,97	2,06
G2	F1	157	123	176	142	55	39	133.5	22	107	2,77	2,89
	G1	169	135	190	156	61	46				3,00	3,09