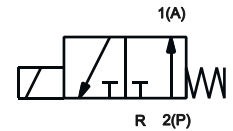


## 3/2 way solenoid valve normally open

type 82S, body brass, pressure release by guide tube  
direct operated, DN 1,2 – 1,5mm, G1/8



operating mode S

SPECIFICATION	
<b>General</b>	
type of construction	3/2-poppet valve, normally open NO, coil 360° rotatable
operator	solenoid
ports	G 1/8, tube with M5 female thread
ambient temperature	-20°C to +50°C, higher allowed ambient temperatures on request
fluid temperature	dependent on sealing material and coil
viscosity	max. 21mm <sup>2</sup> /s (cst) bzw 3°E
material	Body and tube: brass Inner parts : stainless steel, brass sealing: see type selection
mounting	2 threads M4 or fixing holes diameter 3,2mm
installation	in any position, preferable vertical fixed solenoid coil
unit of supply	without connector
<b>electrical data</b>	
voltage	DC voltage or AC voltage
standard voltage	24V DC, 24V AC, 230V AC
special voltage on request	6V-200V DC, 12V-240V, 50Hz or 60Hz
acceptable voltage tolerance	+/- 10%
power consumption	see specifications at solenoid coils
coil type	temperature class F (155°C), winding class H (180°C)
duty cycle	100% ED (DB), continuous operation
protection class	IP65 according DIN EN 60529 (DIN 40050) with correctly mounted connector
<b>pneumatic – hydraulic</b>	
flow medium	all liquids and gases, which don't attack the used material
max. body housing pressure	PN 40 (bar)
response time	12 – 20ms
special equipment on request	stainless steel 1.4305 (AISI303) in place of brass, coil type with cable, bright nickel-plated or chemical, nickel-plated, explosionproof coil, coils for temperature class H (180°C), other sealing materials

## 3/2 way solenoid valve normally open

type 82S, body brass, pressure release by guide tube  
direct operated, DN 1,2 – 1,5mm, G1/8

type 82S, 3/2 way solenoid valve normally open, pressure release by guide tube					
type * (order-nr.)	NW DN (mm)	maximum differential pressure in bar **		kv-value body nozzle (m <sup>3</sup> /h)	kv-value pole nozzle (m <sup>3</sup> /h)
		fluid compressed air	fluid water		
82S-1.1212AY-AC1DA.....	1,2	0 – 7,5	0 – 6	0,045	0,040
82S-1.1512AY-AC1DA.....	1,5	0 – 6	0 – 5	0,060	0,040

\* Type designation (order-nr.) must be completed with sealing material, coil and supply voltage. (see order code)

\*\* All specifications refer to fluids with a maximum viscosity of 21 cst. (3°E). Higher viscosities cause extended response time and need a special specification of the valve.

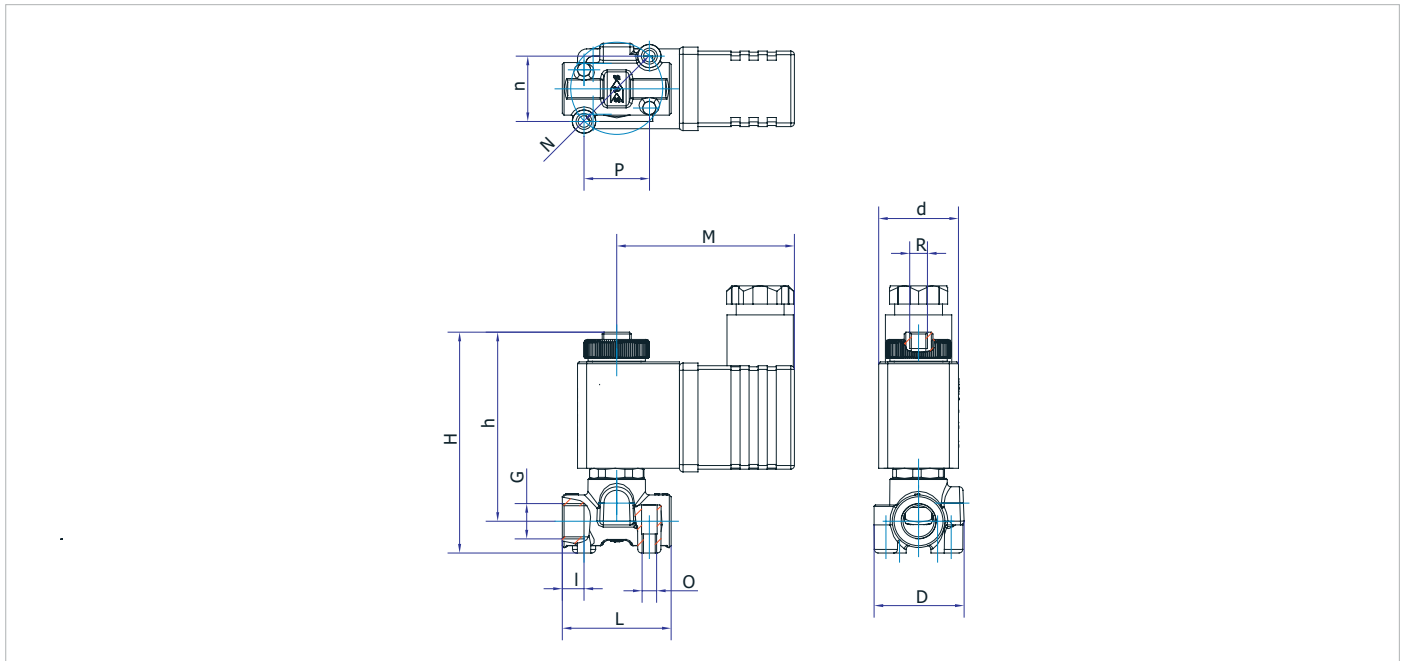
sealing material	Code	fluid temperature	applicable for	standard voltage	Code
NBR (Perbunan)	<b>B</b>	max. 80 °C	neutral gases and liquids	24V = DC	<b>02400</b>
EPDM	<b>E</b>	max. 130 °C	hot water, steam, not for oil and grease	24V ~ (50Hz)	<b>02450</b>
FPM	<b>V</b>	max. 130 °C	oil, petrol, oxygen	230V ~ (50Hz)	<b>23050</b>

coil power consumption at 20 °C, protection class, interface					
coil type	inrush power ~ (50Hz) VA	rated power ~ (50Hz) VA	power = (DC) (W)	protection class with/without connector	interface
C1DA	9	5	3,0	IP65 / IP00	Connector (DIN 43650) type B industrial standard

ORDER CODE	82 S - 1 B 20 18 A Y - A C1DA 02400					
	type	function	ports	seal material	nominal size seat body	nominal size seat pole
type	type 82					
function	S = normally open, pressure release by guide tube					
ports	1 = G1/8 (body)					
seal material	B = NBR (Perbunan), E = EPDM, V = FPM					
nominal size seat body	12 = 1,2 mm, 15 = 1,5 mm					
nominal size seat pole	12 = 1,2 mm					
external core spring	A = 1,0 N					
internal core spring	Y = 2,4 NS					
short circuit ring	A = copper short circuit ring, X = without short circuit ring					
coil type	see specifications of the particular coil					
supply voltage	always 5-digit, see code of standard voltage					

## 3/2 way solenoid valve normally open

type 82S, body brass, pressure release by guide tube  
direct operated, DN 1,2 – 1,5mm, G1/8



**dimension table for type 82S in mm, weight approx. in g**

with coil	N	n	P	M	H	h	G	I	L	O	R	D	d	weight (g)
C1DA	25.4	18	18	49	61	52.1	G1/8	6	30	M4	M5	24.5	22	110