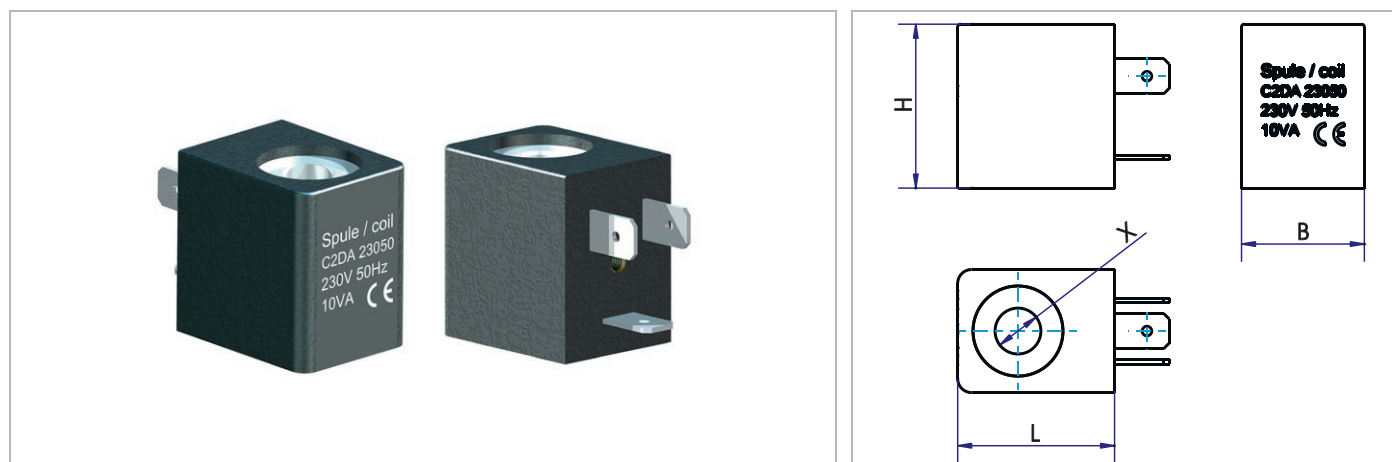


SVS encapsulated coils

system 05 - 19



SPECIFICATION	
ambient temperature	-20°C to +50°C, higher allowed ambient temperatures on request
fluid temperature	see specifications of the particular coil
material	winding copper, temperature class H (180°C), magnetic plate steel zinc plated, encapsulation material see specifications of the particular type
standard voltage	24V DC, 24V 50Hz, 230V 50Hz
special voltage on request	6 – 200V DC, 12 – 250V AC, please note – minimum quantities
general duty cycle	100% ED (DB), continuous operation unless stated otherwise
acceptable voltage tolerance	+/- 10% according to VDE0175 (DIN EC 60038)
special duty cycle	For coils with duty cycle < 100% ED the maximum duty cycle time is 2 minutes for system 5,7 and 9, and 3 minutes for system 13,16 und 19 according to VDE 0580.
protection class	IP65 according DIN EN 60529 (DIN 40050) only with correctly mounted connector and profile seal
special version	please note – minimum quantities must be ordered for special types

tube diameter (mm)	coil type	B (mm)	H (mm)	L (mm)	X (mm)	electrical interface	protection class *
5	A1G, A1I	10	14	14	4,7	Clip-connector radial	IP30
5	A1H, A1K	10	14	14	4,7	Clip-connector axial	IP30
5	A1E	10	14	14	4,7	strand 2-wires	IP65
7	B1C	15	26	21	6,6	EN 175301-803C (DIN 43650 C)	IP65
7	B1E	15	26	21	6,6	strand 2-wires	IP65
9	C1D, C2D	22	30	29	9	EN 175301-803 Form B	IP65
9	C3A	30	30	36	9	EN 175301-803A (DIN 43650 A)	IP65
13	E1A, E4A, E5A	30	39	38	13	EN 175301-803A (DIN 43650 A)	IP65
13	E2A, E3A	36	39	48	13	EN 175301-803A (DIN 43650 A)	IP65
16	F1A	Ø 39	50	45	16	EN 175301-803A (DIN 43650 A)	IP65
19	G1A	Ø 46	61	54	19	EN 175301-803A (DIN 43650 A)	IP65

* IP65 according DIN EN 60529 (DIN 40050) only with correctly mounted connector and profile seal

SVS encapsulated coils

system 05 - 19

electrical interface	
A	EN 175301-803A (DIN 43650 A) / (ISO 4400)
B	EN 175301-803B (DIN 43650 B) / (ISO 4400)
C	EN 175301-803C (DIN 43650 C) / (ISO 4400)
D	similar EN 175301-803B (DIN 43650 B) but industrial type
E	cable / 2 wire connection
F	cable / 3 wire connection
G	clip-connector radial
H	clip-connector axial
I	clip-connector freewheeling diode + LED red, radial
K	clip-connector freewheeling diode + LED red, axial
M	cable connection box

encapsulation material	
A = nylon 6 polyamide glass fiber-reinforced (PA 6)	encapsulation material, not useable for high humidity, insulation class F (max. 155 °C)
B = stanyl	
D = polybutylene terephthalate (PBT)	well suited for high humidity, not suitable for high temperatures, insulation class F (max. 155 °C)
E = polyarylamide (PAA)	well suited for high temperatures, also known as trademark IXEF insulation class H (180 °C), high strength
F = epoxy resin	well suited for high temperatures and high humidity insulation class H (180 °C)
G = polyphenylene sulphide (PPS)	well suited for high temperatures but not suitable for high humidity insulation class H (180 °C)
H = polyethylene terephthalate (PET)	Rynite, well suited for high humidity and high temperatures insulation class H (180 °C), high strength

Please note: Not each coil size can be delivered with all encapsulation materials. See all available coil types at the particular solenoid system.

supply voltage	code
230V 50Hz	23050
24V 50 Hz	02450
110V 60 Hz	11050
12V direct current DC	01200
24V direct current DC	02400

Voltage must always be ordered with 5-digits.

ORDER CODE	
	G 1 D A 23050 S..
tube diameter X	A = 5mm, B = 7mm, C = 9mm, E = 13mm, F = 16mm, G = 19mm
coil power consumption	see specifications of the particular coil
electrical interface	see table electrical interface
encapsulation material	see table encapsulation material
special version	Only if existing, for ex. cable length, otherwise voltage according to encapsulation material
Supply voltage	always 5-digit, see voltage information's

SVS encapsulated coils

system 05 - 19

tube diameter	coil type	electrical interface	temp. class	max. fluid temperature	encapsulation material	power consumption			
						Direct current DC (W)		Alternating current AC (VA)	
						cold	warm	inrush	rated
05	A1GA	clip radial	F (155 °C)	80 °C	PA 6	1,3	1,15	-	-
	A1IA	clip radial, LED, diode	F (155 °C)	60 °C	PA 6	1,3	1,15	-	-
	A1HA	clip axial	F (155 °C)	80 °C	PA 6	1,3	1,15	-	-
	A1KA	clip axial, LED, diode	F (155 °C)	60 °C	PA 6	1,3	1,15	-	-
	A1EA	cable 300mm	F (155 °C)	100 °C	PA 6	1,3	1,15	-	-
07	B1CA	EN 175301-803C (DIN 43650 C)	F (155 °C)	130 °C	PA 6	2,65	2,3	3,3	2,8
	B1EA*	cable 2-wire, length 300mm	F (155 °C)	130 °C	PA 6	2,65	2,3	3,3	2,8
	B1CH	EN 175301-803C (DIN 43650 C)	F (155 °C)	130 °C	Rynite	2,65	2,3	3,3	2,8
	B1EH*	cable 2-wire length 300mm	F (155 °C)	130 °C	Rynite	2,65	2,3	3,3	2,8
09	C1DA	EN 175301-803B (DIN 43650 B), industrial type	F (155 °C)	130 °C	PA 6	3,0	2,5	9	5
	C2DA	EN 175301-803B (DIN 43650 B), industrial type	F (155 °C)	130 °C	PA 6	6,5	5	13	10
	C3AA	EN 175301-803A (DIN 43650 A)	F (155 °C)	130 °C	PA 6	6,3	5,2	17	13
13	E1AA	EN 175301-803A (DIN 43650 A)	F (155 °C)	120 °C	PA 6	12	9	32	14
	E2AA	EN 175301-803A (DIN 43650 A)	F (155 °C)	100 °C	PA 6	17	12	42	19
	E3AE	EN 175301-803A (DIN 43650 A)	H (180 °C)	140 °C	PAA	27	18	70	32
	E4AA	EN 175301-803A (DIN 43650 A)	F (155 °C)	100 °C	PA 6	10	8	-	-
	E5AA	EN 175301-803A (DIN 43650 A)	F (155 °C)	100 °C	PA 6	8	7	-	-
16	F1AA	EN 175301-803A (DIN 43650 A)	F (155 °C)	100 °C	PA 6	27	19	70	35
19	G1AA	EN 175301-803A (DIN 43650 A)	F (155 °C)	100 °C	PA 6	32	23	80	40

order example: solenoid diameter 09, 10VA rated power, 24V, 50Hz: *C2DA02450*
solenoid diameter 16, 30VA rated power, 230V, 50Hz: *F1AA23050*