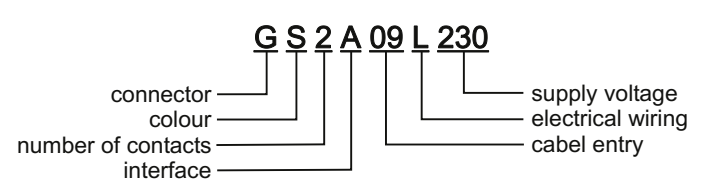


valve connectors with cable entry

EN 175 301-803 (DIN 43650)

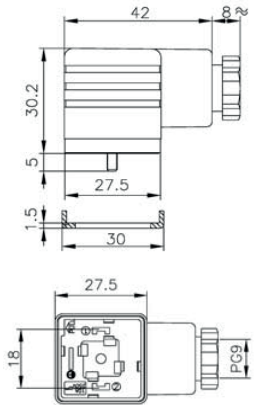
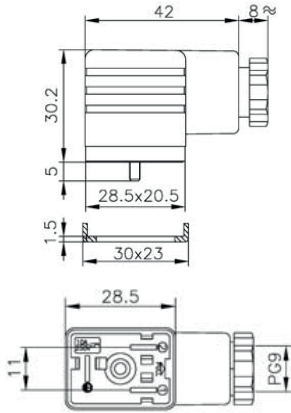


SPECIFICATION	
general	
device standard	EN 175301-803 (DIN 43650) Form A and C, Form D = ähnlich EN 175301-803 Form B
type of construction	Connector with screw terminals
cable entry	PG 7, PG 9 or PG 11
temperature range	-40 °C to +100 °C, with electronic components max.+80°C
material	PA 6 glass fiber-reinforced, contacts silver-plated
unit of supply	connector with profile seal in NBR and center screw M3
tightening torque	0,5 Nm for type A and D, 0,2 Nm for type C
maximum cable diameter	PG 7 = 4 – 6mm, PG 9 = 5 – 7mm, PG 11 = 6 – 9mm
electrical data	
voltage	DC voltage or AC voltage
protection class	IP65 according DIN EN 60529 (DIN 40050) with correctly mounted connector
contact load	see specifications of the particular type
LED colour	yellow
max. wire cross section	1,5 mm ² rigid wire at type A and D, 1 mm ² rigid wire at type Form C
special version	flat seal in NBR or in silicone, profile seal in silicone

ORDER CODE	
	 <p style="text-align: center;">G S 2 A 09 L 230</p>
connector G	With cable entry and profile seal between coil and connector in NBR
colour	S = black, G = grey, T = transparent
number of contacts	2 = 2 + PE, 3 = 3 + PE
interface	A = DIN 43650A, C = DIN 43650C, D = similar to DIN 43650 B but industrial type
cable entry	07 = PG 7, 09 = PG 9, 11 = PG 11
electrical wiring	D = protecting diode, L = LED light diode + varistor, M = LED light diode + freewheeling diode, N = LED light diode + RC element, V = varistor, R = rectifier + varistor, X = RC element, Y = voltage reduction to a value <40 % after 0,6 seconds + LED light diode
supply voltage.	012 = 12 Volt, 024 = 24 Volt, 110 = 110 Volt, 230 = 230 Volt
Kind of current	AC = alternating current, DC = direct current, AD = direct or alternating current

valve connectors with cable entry

EN 175 301-803 (DIN 43650)

connectors according to DIN EN 175301-803 (DIN 43650), type A					
type order-nr.	voltage (V)	current	circuits	contact load max. (A)	
GS2A09	0 – 250	AC, DC	without	10	
GS2A09D230	0 – 230	DC	freewheeling diode	4	
GT2A09L024	24	AC, DC	LED + VDR	5	
GT2A09L230	230	AC, DC	LED + VDR	5	
GS2A09R024	24	AC, DC	rectifier + VDR	4	output voltage 20 Volt DC
GS2A09R230	230	AC, DC	rectifier + VDR	1	output voltage 207 Volt DC
GT2A09Y024	24	DC	power reduction	0,1 – 2	40% output power after 600msek.
connectors type D, similar to DIN EN 175301-803 (DIN 43650) type B					
type order-nr.	voltage (V)	current	circuits	contact load max. (A)	
GS2D09	0 – 250	AC, DC	without	10	
GS2D09D230	0 – 230	DC	freewheeling diode	4	
GT2D09L024	24	AC, DC	LED + VDR	5	
GT2D09L230	230	AC, DC	LED + VDR	5	

valve connectors with cable entry

EN 175 301-803 (DIN 43650)

connectors according to DIN EN 175301-803 (DIN 43650) type C					
type order-nr.	voltage (V)	current	circuits	contact load max. (A)	
GS2C07	0 – 250	AC, DC	without	6	
GS2C07D230	0 – 230	DC	freewheeling diode	4	
GT2C07L024	24	AC, DC	LED + VDR	5	
GT2C07L230	230	AC, DC	LED + VDR	5	

circuits				
without	freewheeling diode (D)	LED + VDR (L)	rectifier (R)	power reduction (Y)